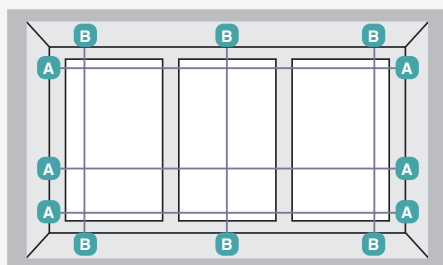


Measuring for your venetian blind is easy – just choose where you will fit your blind and then follow the guide below

There are two positions you can fit your venetian blind – it is important that you let us know which way you will fit your blind and measure correctly.

Option 1 Inside the window recess - RECESS FITTING



Write your measurements here:

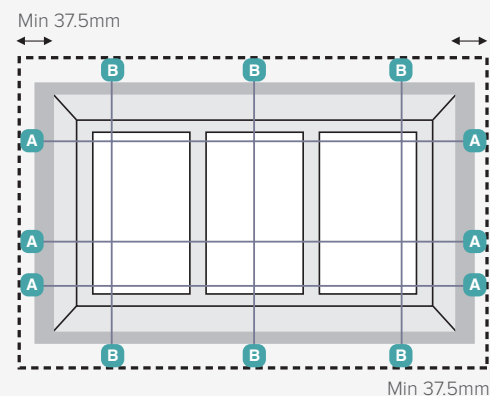
	Width ↔	Drop ↓
Blind 1		
Blind 2		
Blind 3		
Blind 4		

- Make sure your recess is large enough for the venetian blind – (we recommend the recess is at least 50mm deep for 25mm slats and 75mm deep for 50mm slats).
- Measure within the recess horizontally in three places as indicated **A**. Note the smallest measurement as your **RECESS WIDTH**. See note about **BLIND WIDTH** below.
- Measure vertically within the recess in three places as indicated **B**. Note the smallest measurement as your **RECESS DROP**.
- **IMPORTANT: BLIND WIDTH**
When we make your venetian blind we will cut the blind (headrail, slats and bottom bar) so that it is 10mm less than the **RECESS WIDTH** you give us for an aluminium blind, and 12mm less than the **RECESS WIDTH** you give us for a wooden blind. This will allow space in the window recess for the venetian blind to operate smoothly. If there are obstructions in your window recess which would still impede the blind when being lowered (eg. tiling, dado rail or phone socket) then please make an appropriate adjustment to your **RECESS WIDTH** measurement.

Top measuring tips

- Make sure you measure in at least three places for both **WIDTH** and **DROP**
- Use a metal tape measure – cloth tapes stretch!
- Always record the **WIDTH** first and the **DROP** second to avoid confusion
- Use the boxes below to record your measurements

Option 2 Outside the window recess – EXACT FITTING



Write your measurements here:

	Width ↔	Drop ↓
Blind 1		
Blind 2		
Blind 3		
Blind 4		

- Measure horizontally in three places as indicated **A** for the width you want your venetian blind to be including overlaps - (we recommend at least 37.5mm on all sides). Note the largest measurement as your **EXACT WIDTH**. See note about **BLIND WIDTH** below.
- Measure vertically in three places as indicated **B** including overlaps - (we recommend at least 37.5mm on all sides). Note the largest measurement as your **EXACT DROP**.
- **IMPORTANT: BLIND WIDTH**
When we make your venetian blind we will cut the blind (headrail, slats and bottom bar) so that it is the **EXACT WIDTH** you give us.